

Technical parameters

Current and Voltage : 16A 240V AC

Signal current : 2A < 30V DV

Protection Degree : IP54

Charging cable 16A 1P+N+PE+PP+CP

The Plug was designed according to the standard of SAE J1772- 2010

The static resistance is 150 ohm, and the resistance will increase to 480 ohm when pressing the button.

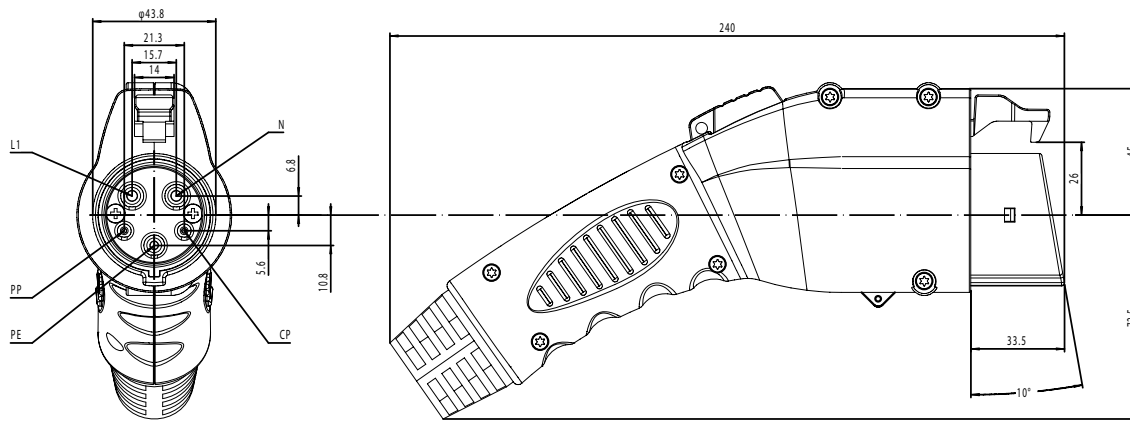


DSI-EV16P-NC



www.evconnectors.com

tel: +44 (0)1371 811230



Technical parameters

Current and Voltage : 16A 240V AC

Signal current : 2A <30V DV

Protection Degree : IP54

Charging cable 16A 1P+N+PE+PP+CP

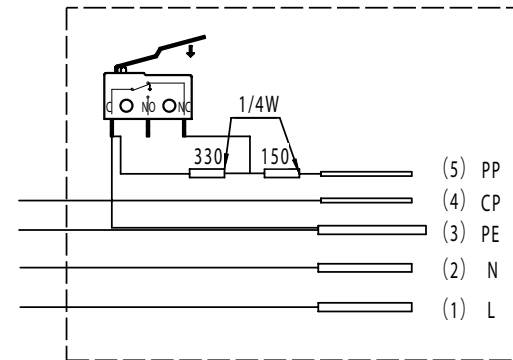
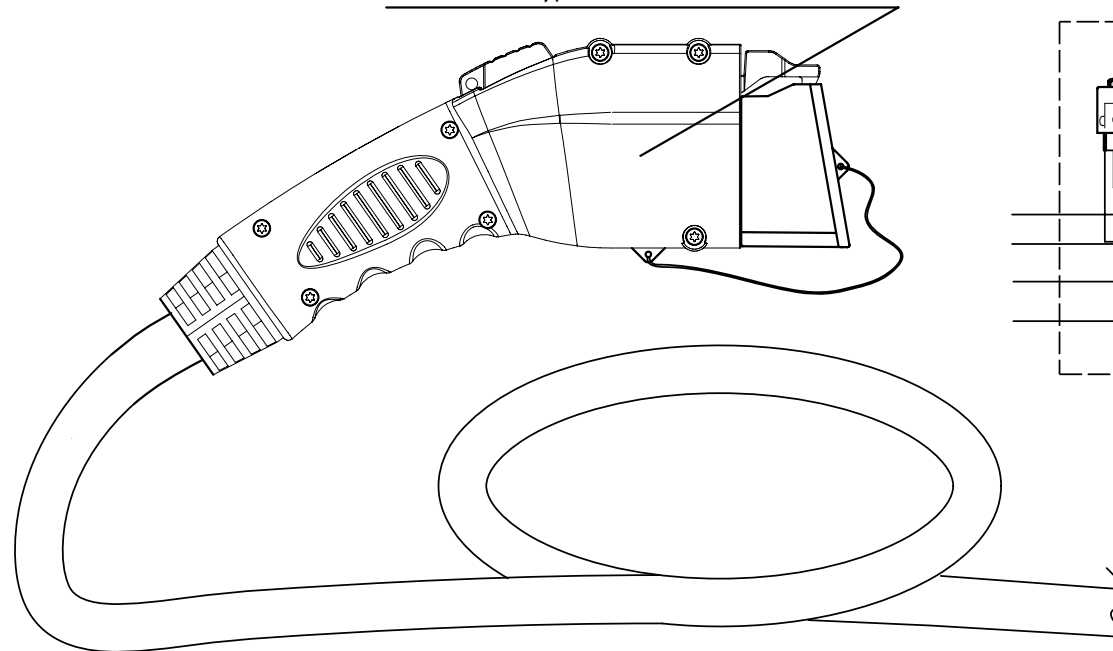
The Plug was designed according to the standard of SAE J1772- 2010

The static resistance is 150 ohm, and the resistance will increase to 480 ohm when pressing the button.

Charging cable 3000/5000mm 3*2.5mm²+0.5mm²



IEC 62196-2 Type I (With dust cover)



Cable specification

Function	16A 240V
L1 (1)	2.5 mm ²
N (2)	2.5 mm ²
PE (3)	2.5 mm ²
CP (4)	0.5 mm ²
PP (5)	

DSI-EV16P-3C
DSI-EV16P-5C



www.evconnectors.com

tel: +44 (0)1371 811230