

Technical parameters

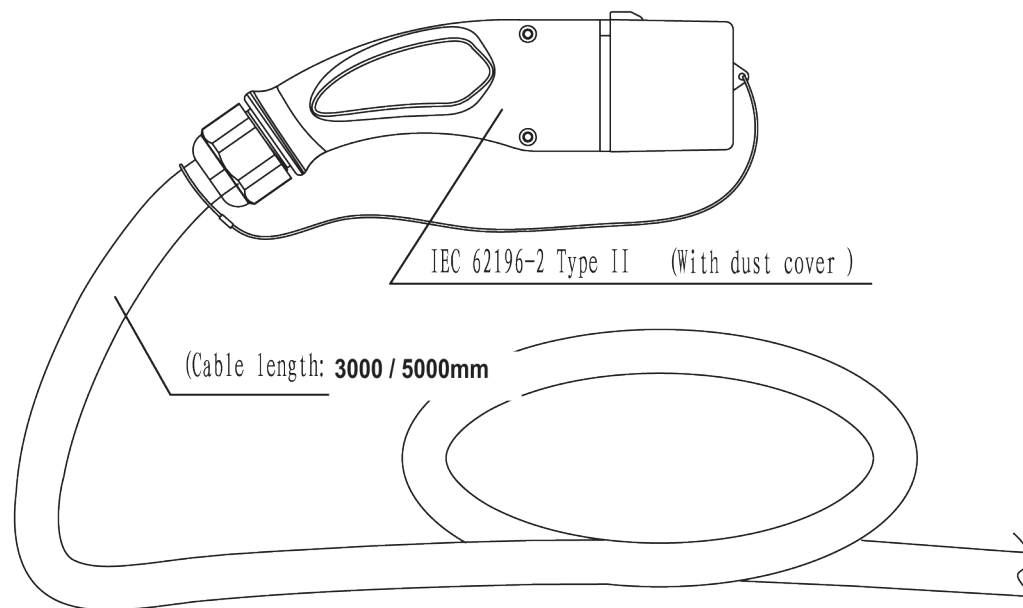
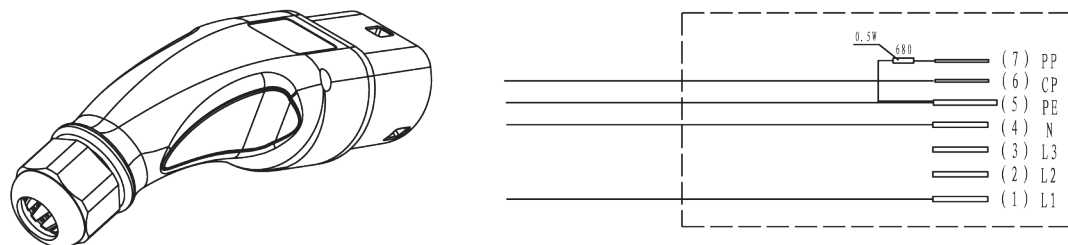
Current and Voltage : 16A 240V AC

Signal current : 2A < 30V DV

Protection Degree : IP44

Cable specification

Function	16A	240V
L1 (1)	2.5	mm ²
L2 (2)		
L3 (3)		
N (4)	2.5	mm ²
PE (5)	2.5	mm ²
CP (6)	0.5	mm ²
PP (7)		



Charging cable 16A 1P+N+PE+PP+CP

The Plug II ,was designed according to the standard of 62196-2 IEC 2010 sheet 2-IIb

Smooth line design

The static resistance is 680 ohm

Charging cable 3000/5000mm 3x2.5mm²+2-0.5mm²



DSIEC-EV16P-NC

DSIEC-EV16P-3C

DSIEC-EV16P-5C



www.evconnectors.com

tel: +44 (0)1371 811230