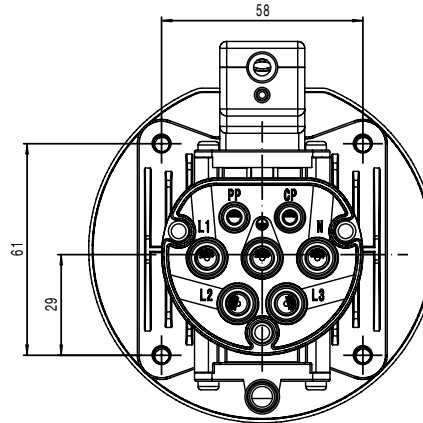


3*0.2mm² 5mm 600 length
max. 3A 12V DC

function	RED	BLUE	WHITE
unlocking	0V	signal on	+12V DC
locking	+12V DC	signal off	0V

Actuate Solenoid Lock Using Single Pulse,
Reverse/Changeover Polarity to Unlock

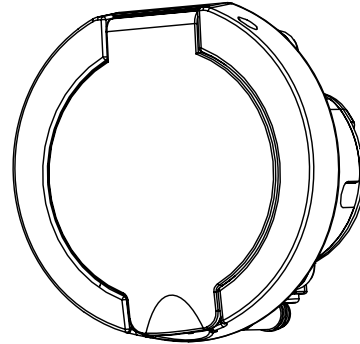
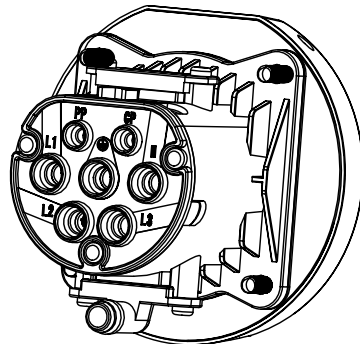
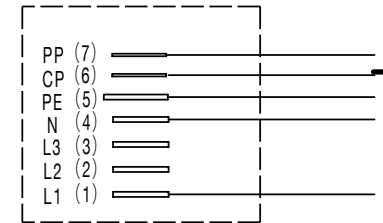
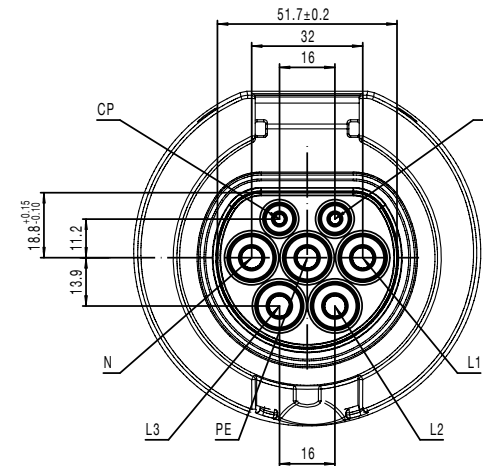
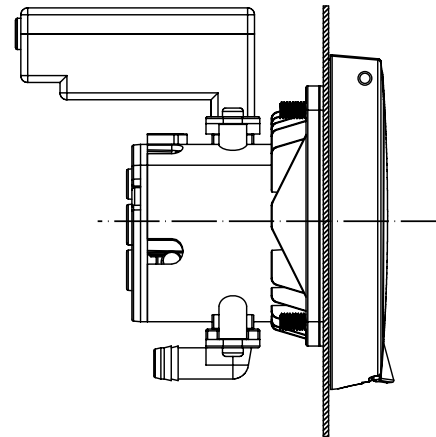
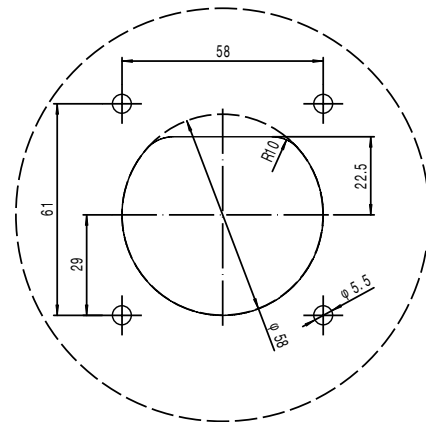


Technical Parameters

Current & Voltage: 16A 240V AC
Signal Current: 2A 30V DC
Protection: IP54

Cable Specification

Function	16A 240V
L1 (1)	2.5mm ²
L2 (2)	
L3 (3)	
N (4)	2.5mm ²
PE (5)	2.5mm ²
CP (6)	0.5mm ²
PP (7)	0.5mm ²



Charging Cable: 1P+N+PE+PP+CP 1500mm 3*10mm²+2*0.5mm²

Standard: 62196-2 IEC 2010 SHEET 2-IIa

DSIEC-M-EV16S-XXC
DSIEC-M-G-EV16S-XXC
DSIEC-M-EL-EV16S-XXC
DSIEC-M-EL-G-EV16S-XXC
 Issue No: 1 VK 23-3-12



www.evconnectors.com

tel: +44 (0)1371 811230